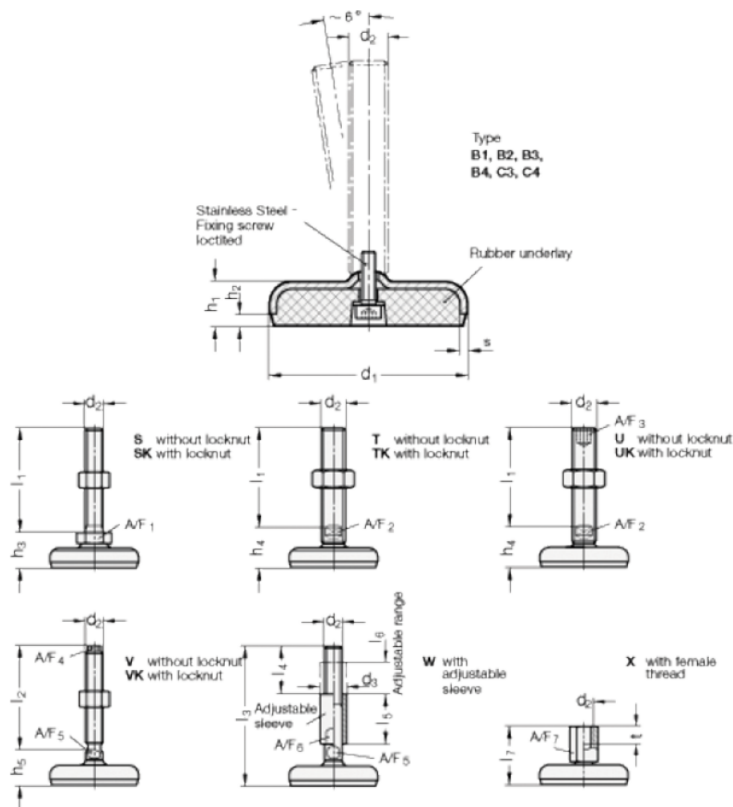


Article number: 2031100M20200C3U

Description: E+G levelling foot
GN 31-100-M20-200-C3-U

Note: U Without nut, Hexagon socket at the top, Wrench flat at the bottom

Measures



| | | |
|-----------|-------|-------|
| A/F2 | = 15 | s = 3 |
| A/F3 | = 10 | |
| d1 | = 100 | |
| d2 | = 20 | |
| h1 | = 20 | |
| h4 +4.0/0 | = 35 | |
| l1 | = 200 | |